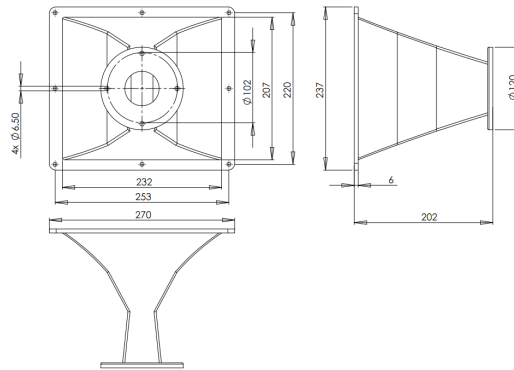


ME60

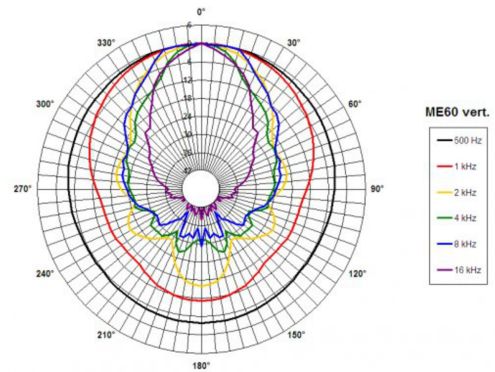
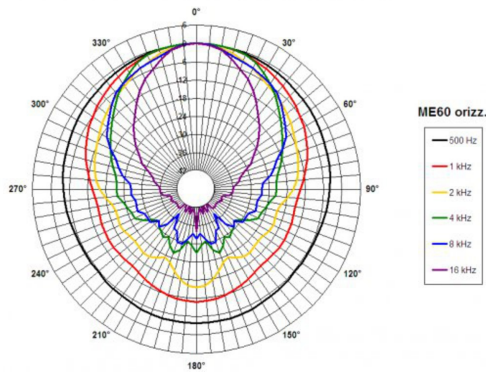
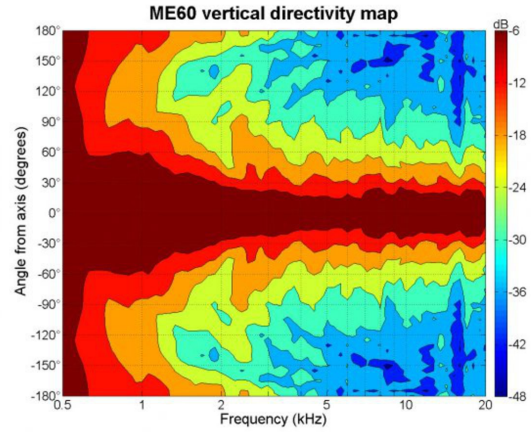
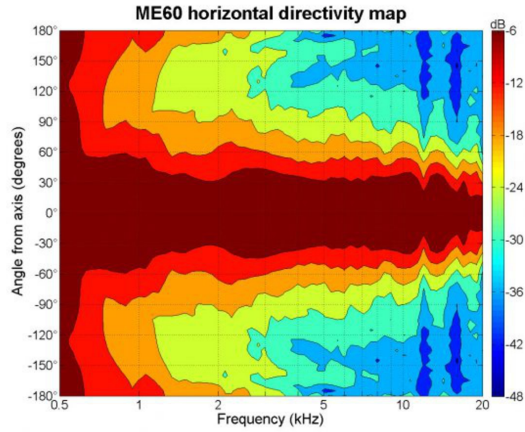
0Ω

Horns - 2.0 Inches

- 2" throat entry
- 60° x 40° nominal coverage
- Constant Directivity
- Excellent loading down to 800 Hz

ME60

Horns- 2.0 Inches



SPECIFICATIONS¹

Throat Diameter	50 mm (2.0 in)
Nominal Coverage Horizontal	60 °
Nominal Coverage Vertical	40 °
Cutoff Frequency	0.8 kHz
Material	Cast Aluminium
Dimensions	270x237x202 mm (10.6x9.3x7.9 in)

MOUNTING AND SHIPPING INFO

Baffle Cutout Dimension	232x207 mm (9.1x8.1 in)
Air Volume Occupied by Horn	0.45 dm ³ (0.02 ft ³)
Net Weight	1.6 kg (3.5 lb)
Shipping Units	1
Shipping Weight	2.2 kg (4.8 lb)
Shipping Box	290x260x260 mm (11.4x10.2x10.2 in)
Other Details	4x 6.5 mm (0.255 in) holes 90° on 102 mm (4 in) diameter

1. Horn mounted on B&C DE 750 compression driver.